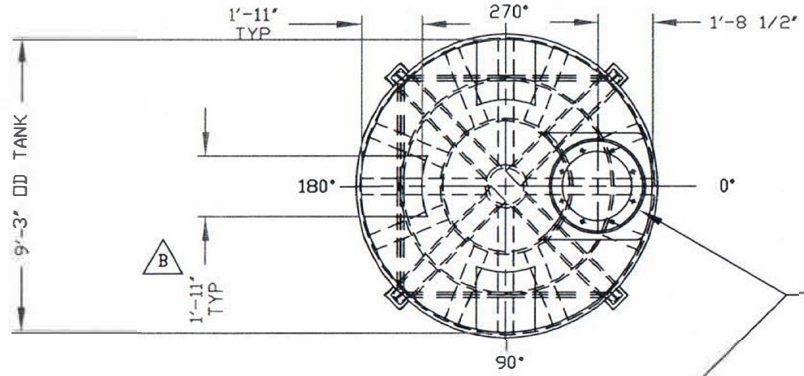
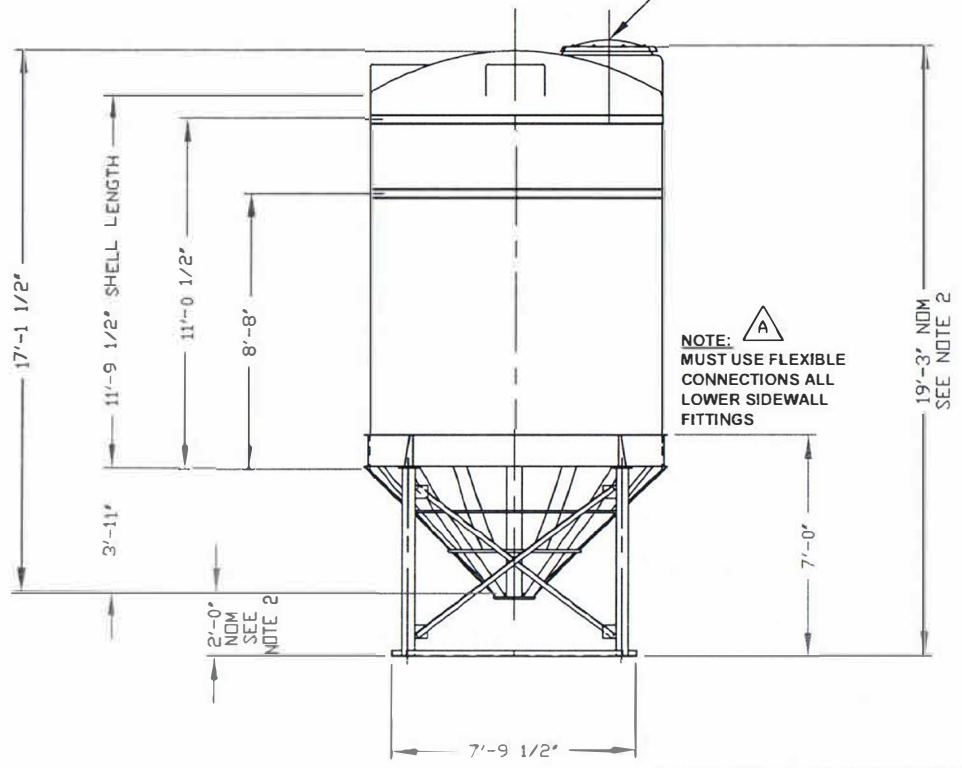


NON-CONTROLLED COPY
 INFORMATION SUBJECT TO CHANGE WITHOUT NOTICE
 VERIFY REV LEVEL OF PAPER COPY WITH REV LEVEL ON PPC WEB SITE

NOZZLE SCHEDULE & ACCESSORIES					
SERVICE	MK	STOCK NO.	SIZE	FITTING	DEG ELEV



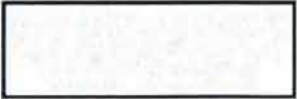
STANDARD COVER, 24"/(8) BOLT MANWAY COVER/PE (SHOWN)
 STOCK NO. 3218 OR
 24"/STRAPPED MANWAY COVER/PE
 STOCK NO. 3217
 (OPTIONAL 24" COVERS AVAILABLE)



NOTE: **A**
 MUST USE FLEXIBLE CONNECTIONS ALL LOWER SIDEWALL FITTINGS


- NOTES:
1. THIS IS A COMPUTER GENERATED DWG. DO NOT REVISE BY HAND.
 2. DIMENSIONS WILL VARY ±3% DUE TO VARIATIONS IN MULTIPLE MOLDS & CONDITIONS PREVALENT DURING MANUFACTURE & USAGE. WHEN FILLED TANK MAY SETTLE IN STAND CAUSING VARIATIONS IN BOTTOM CLEARANCE & OVERALL HEIGHT DIM.
 3. 5" WIDE MOLDED IN GALLONAGE MARKERS @ APPROX ±5%. AVOID WHEN PLACING FITTINGS.

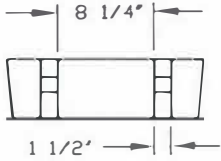
CALCULATED CAPACITIES/ VOLUME IN U.S. GALLONS		
DESIGN CAP	DOME VOL	TOTAL VOL
6539	314	6853



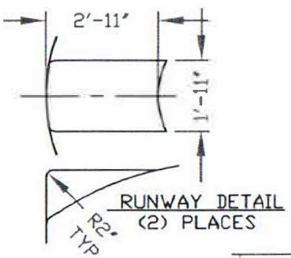
REV 'B' ADDED FITTING FLATS BY:JB 4/25/13 CK:WM
 REV 'A' ADDED FITTING NOTE BY:JB 11/6/03 CK:MBW

NON-CONTROLLED COPY
 INFORMATION SUBJECT TO CHANGE WITHOUT NOTICE
 VERIFY REV LEVEL OF PAPER COPY WITH REV LEVEL ON PPC WEB SITE

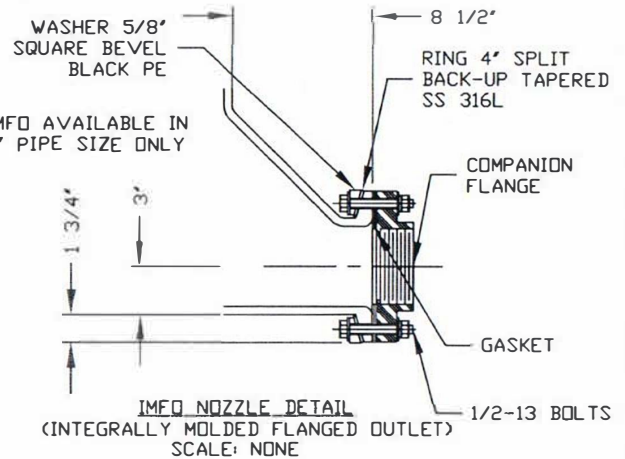
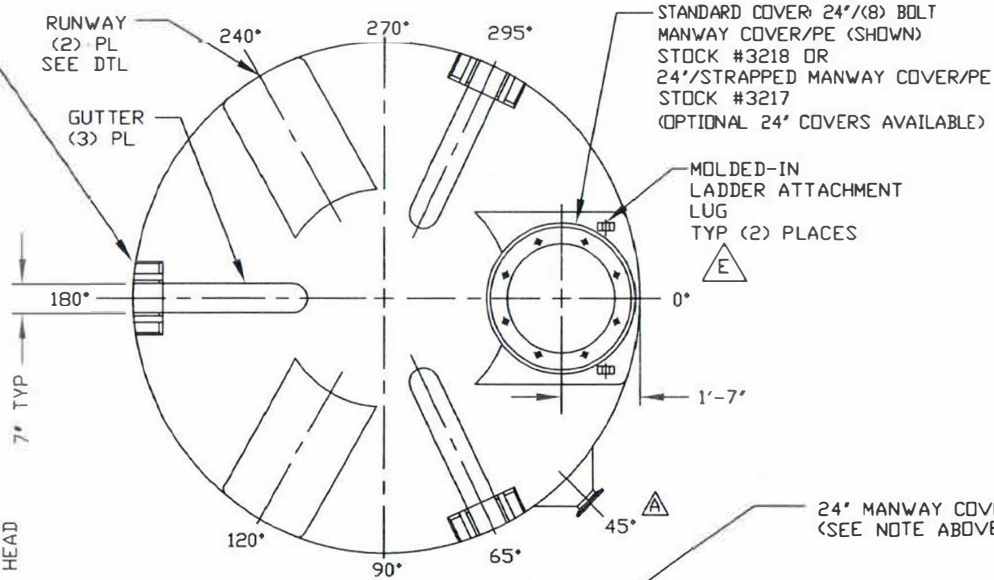
MOLDED IN LIFTING LUG PAIRS (3) PLACES USE A MINIMUM OF (1) TAB AT EACH LOCATION FOR LIFTING (SEE DETAIL) 



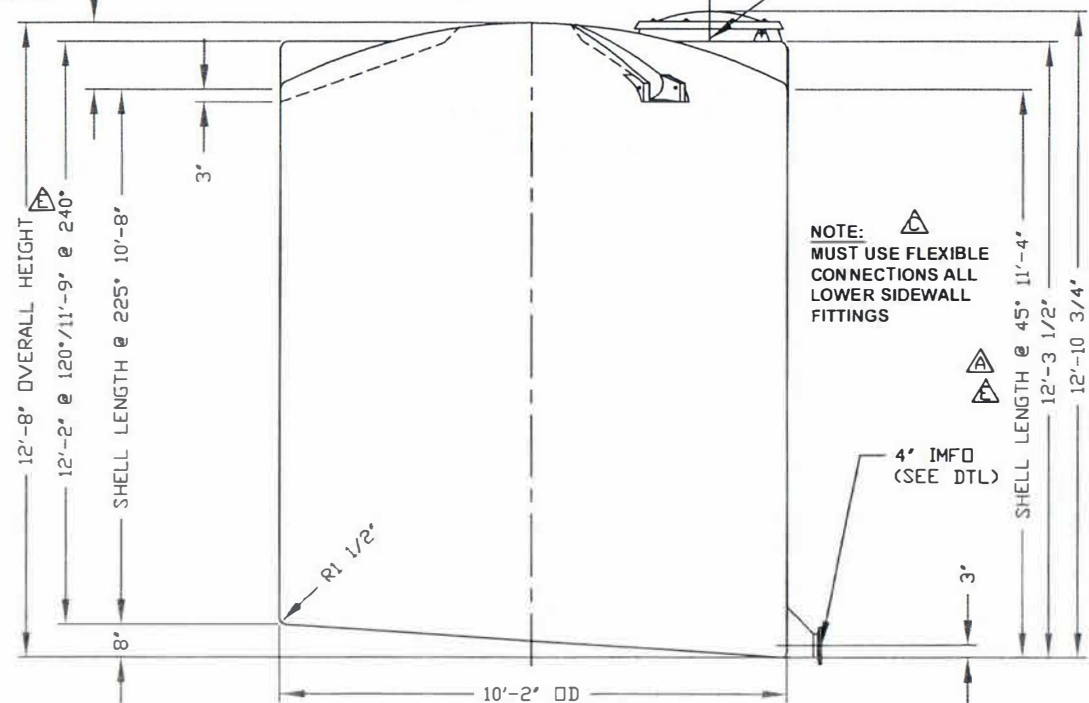
LIFTING LUG DETAIL
 (3) PLACES
 SCALE: 1"=1'-0"




RUNWAY DETAIL
 (2) PLACES



IMFO NOZZLE DETAIL
 (INTEGRALLY MOLDED FLANGED OUTLET)
 SCALE: NONE



NOTE: 
 MUST USE FLEXIBLE CONNECTIONS ALL LOWER SIDEWALL FITTINGS

- NOTES**
1. THIS IS A COMPUTER GENERATED DWG. DO NOT REVISE BY HAND.
 2. DIMENSIONS WILL VARY ±3% DUE TO VARIATIONS IN MULTIPLE MOLDS & CONDITIONS PREVALENT DURING MANUFACTURE & USAGE.
 3. MOLDED IN GALLONAGE MARKERS @ APPROX 60° IN 200 GALLON INCREMENTS UP TO 5800 GALLONS.

CALCULATED CAPACITIES/ VOLUME IN U.S. GALLONS		
DESIGN CAP	DOME VOL	TOTAL VOL
6388	419	6807

REV 'A' REVISED DIM IN ELEVATION BY MBV 3/1/00 CKDR
 REV 'B' ADDED LIFTING LUGS & DETAILS BY JJB 4/12/02 CKMBV
 REV 'C' ADDED FITTING NOTE BY MBV 3/3/03 CKJJB
 REV 'D' ADDED LADDER ATTACHMENT LUGS BY JJB 5/25/04 CKVM
 REV 'E' REVISED OVERALL HEIGHT & SHELL LENGTH BY JJB 8/4/11 CKGD
 REV 'F' RELOCATED GUTTERS BY JJB 1/24/11 CKVM